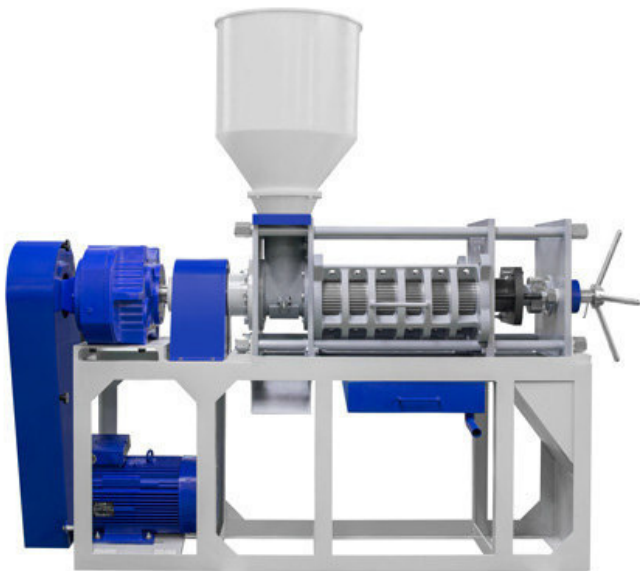
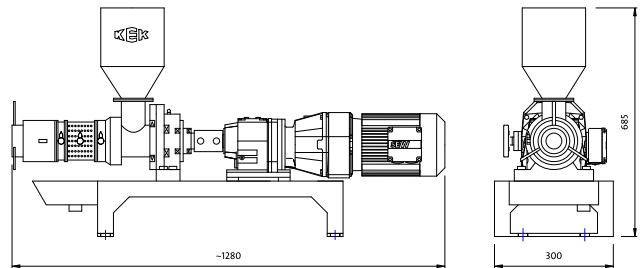




KEK TECHNICAL DETAILS P0020

Screw Press	Type:	P0020
Capacity	appr. kg/hr:	20
Drive Motor	kW:	1,5
Net Weight	appr. kg:	117
Gross Weight	appr. kg:	152
Crate Volume	appr. m ³ :	0,9
Crate Dimensions	appr. mm W:	1500
	appr. mm H:	810
	appr. mm D:	700

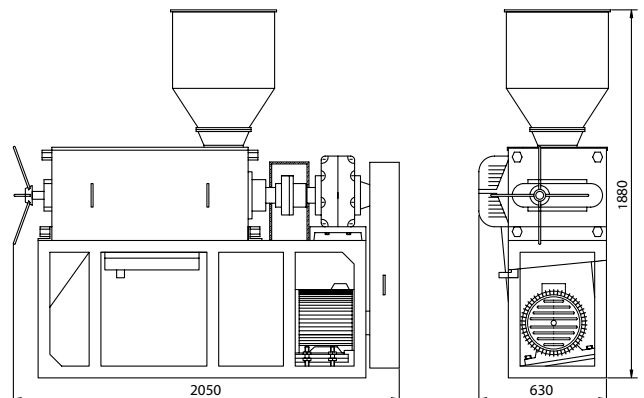
DIMENSIONS P0020



KEK TECHNICAL DETAILS P0101

Screw Press	Type:	P0101
Capacity	appr. kg/hr:	100
Drive Motor	kW:	7,5
Net Weight	appr. kg:	960
Gross Weight	appr. kg:	1070
Crate Volume	appr. m ³ :	3,7
Crate Dimensions	appr. mm W:	2240
	appr. mm H:	1500
	appr. mm D:	1100

DIMENSIONS P0101



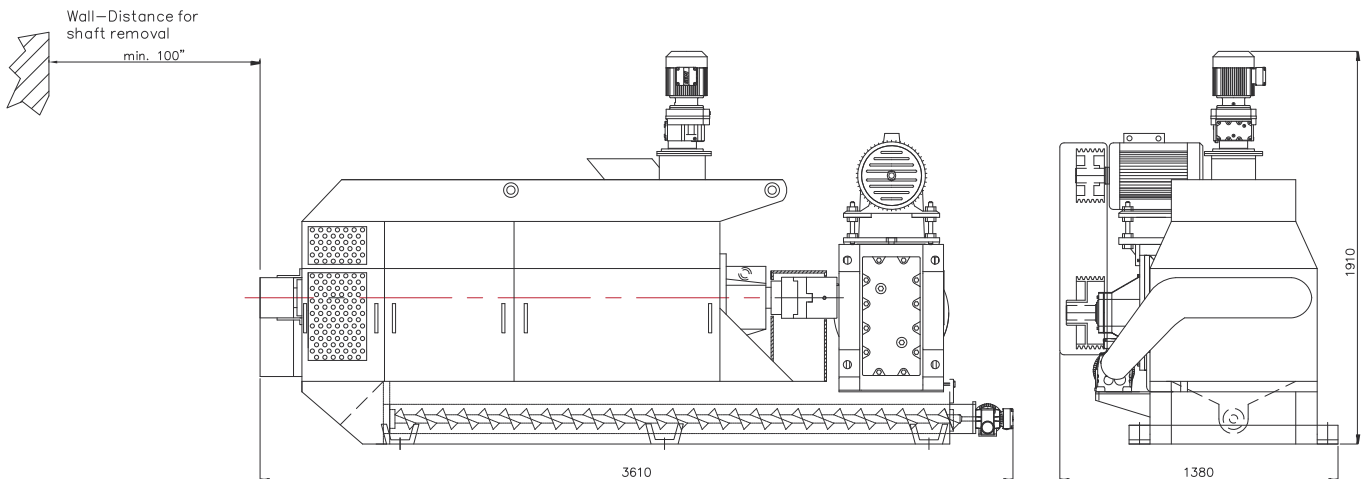
KEK TECHNICAL DATA SHEET OIL PRESS RANGE



KEK TECHNICAL DETAILS P0500

Screw Press	Type:	P0500
Capacity	appr. kg/hr:	500
Drive Motor	kW:	22
Net Weight	appr. kg:	4043
Gross Weight	appr. kg:	4280
Crate Volume	appr. m ³ :	13,1
Crate Dimensions	appr. mm W:	4060
	appr. mm H:	2060
	appr. mm D:	1590

DIMENSIONS P0500



EGON KELLER GMBH & CO. KG

Anton-Küppers-Weg 17
 P.O. Box: 140350
 D-42824 Remscheid
 Germany
 Phone +49-2191-84100
 Fax +49-2191-8628
 Fax +49-2191-8629
 E-Mail info@keller-kek.de
www.keller-kek.de